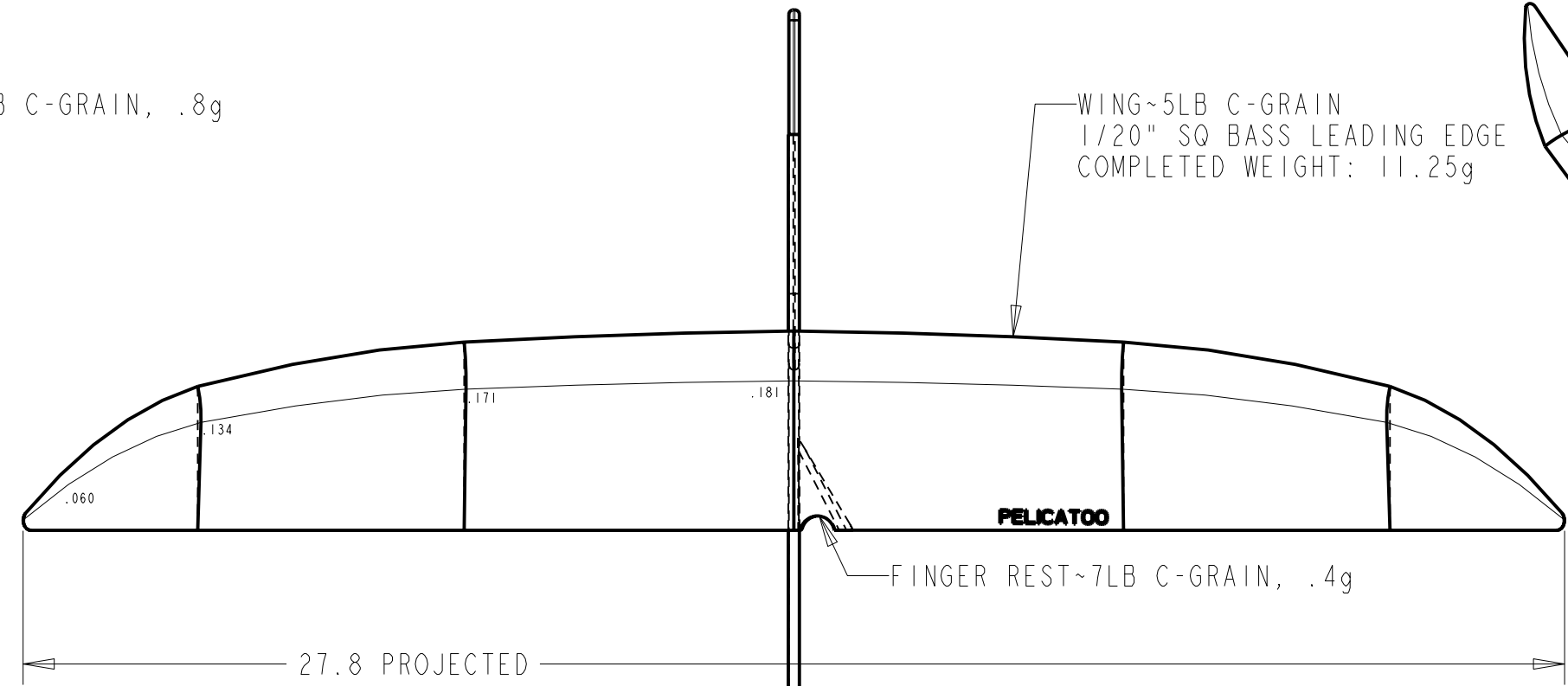


NOSE~7LB C-GRAIN, .8g



WING~5LB C-GRAIN  
1/20" SQ BASS LEADING EDGE  
COMPLETED WEIGHT: 11.25g

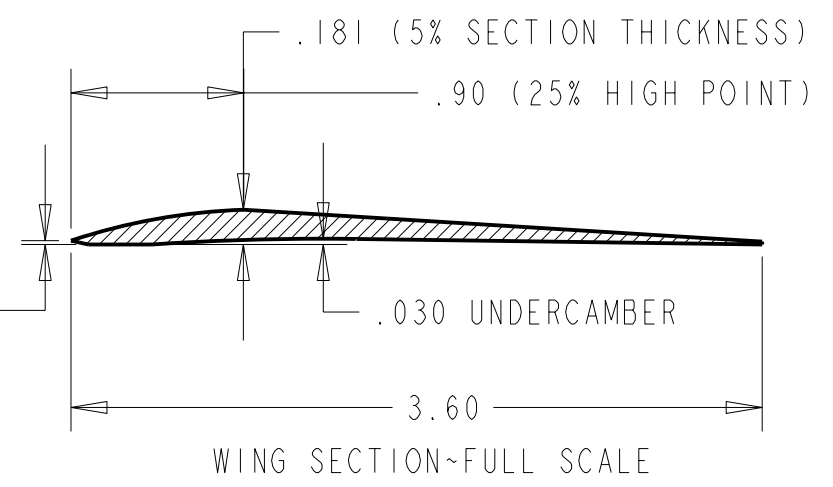
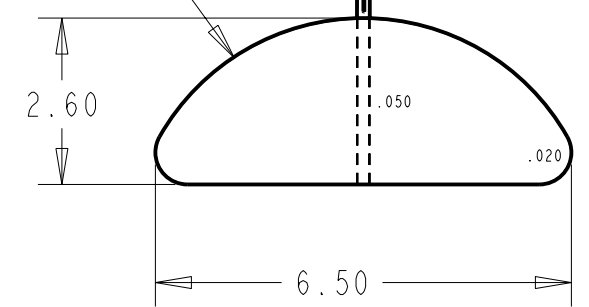
PELICATOO

FINGER REST~7LB C-GRAIN, .4g

27.8 PROJECTED

FUSELAGE BOOM~CARBON TUBE  
.20"Ø, 2.0g

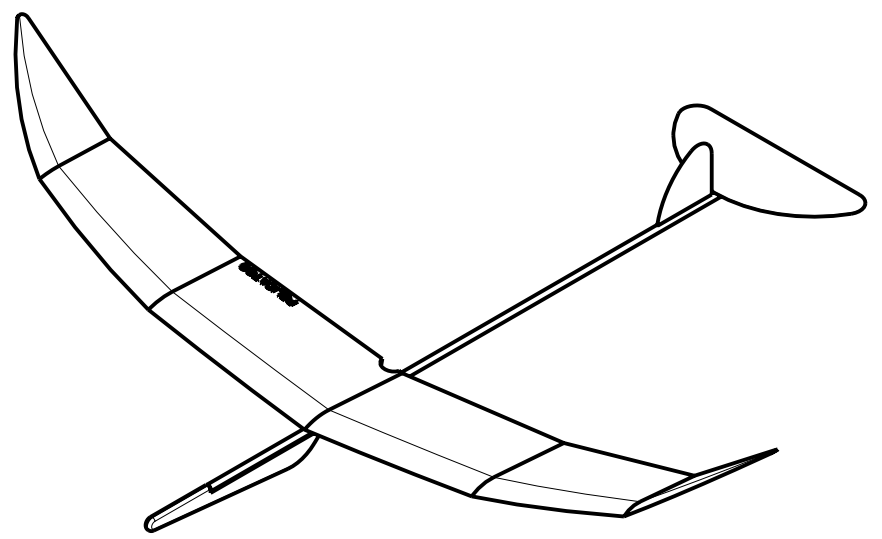
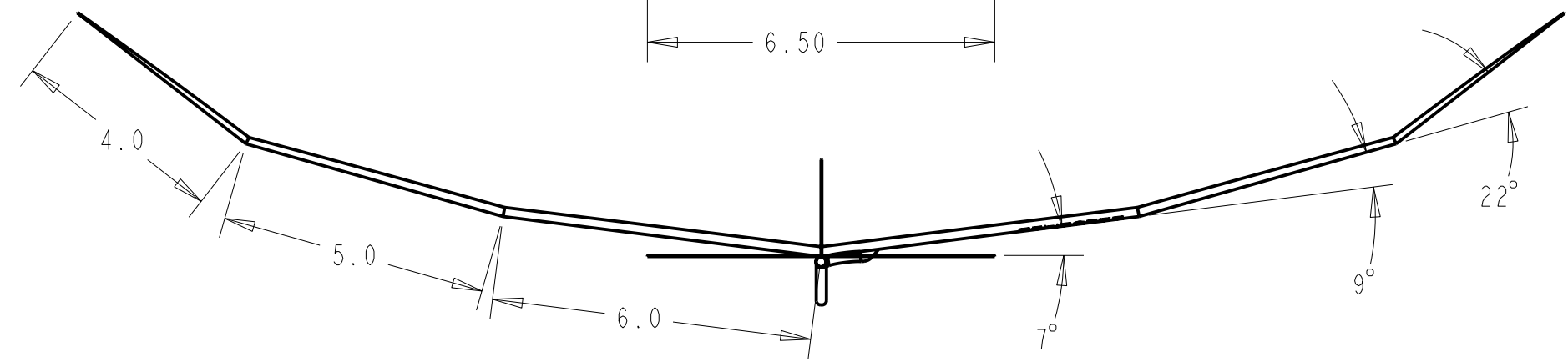
TAIL SURFACES~5LB C-GRAIN  
COMPLETED WEIGHT .7g



WING SECTION~FULL SCALE

WEIGHTS

WING	11.25g
FUSE BOOM	2.00g
FUSE NOSE	.80g
FINGER REST	.40g
STAB	.70g
RUDDER	.05g
BALLAST	1.30g
TOTAL	16.50g



PELICATOO by JIM BUXTON  
CATEGORY II HLG  
49.9 + 51.6 SECS= 1:41.5 SECONDS  
KENT OHIO, 4/23/2006

SCALE:1/3