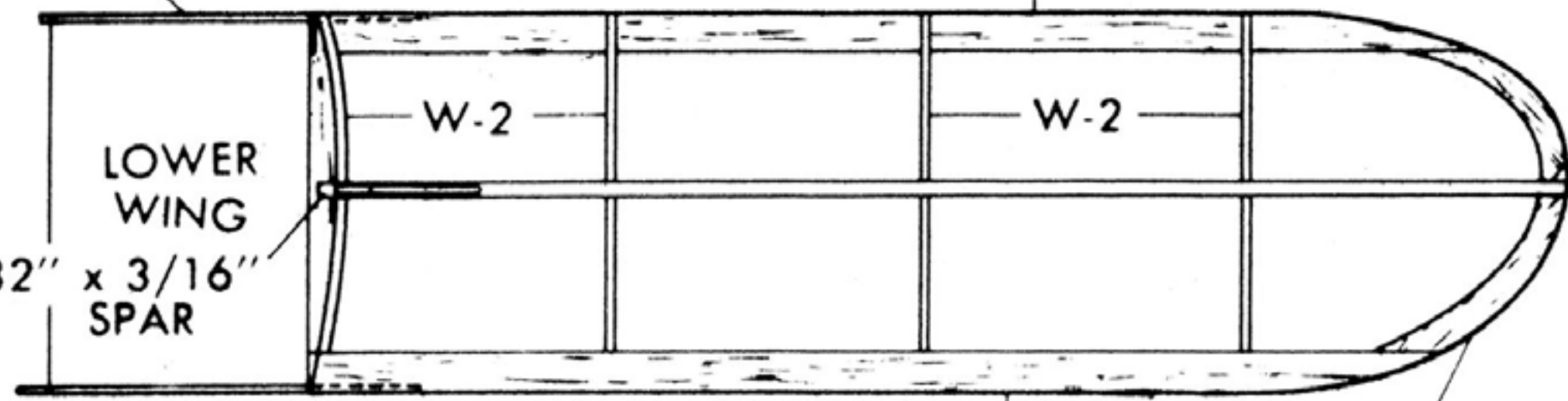


.031 DIA. WIRE

1/16" x 1/4" LEADING EDGE



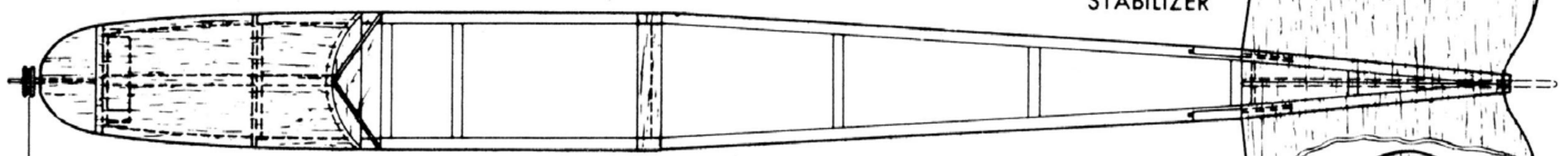
1/16" x 1/4" TRAILING EDGE

1/16" SHEET

3/8" GRID SQUARES

GARAMI BIPE

3/32" SHEET STABILIZER



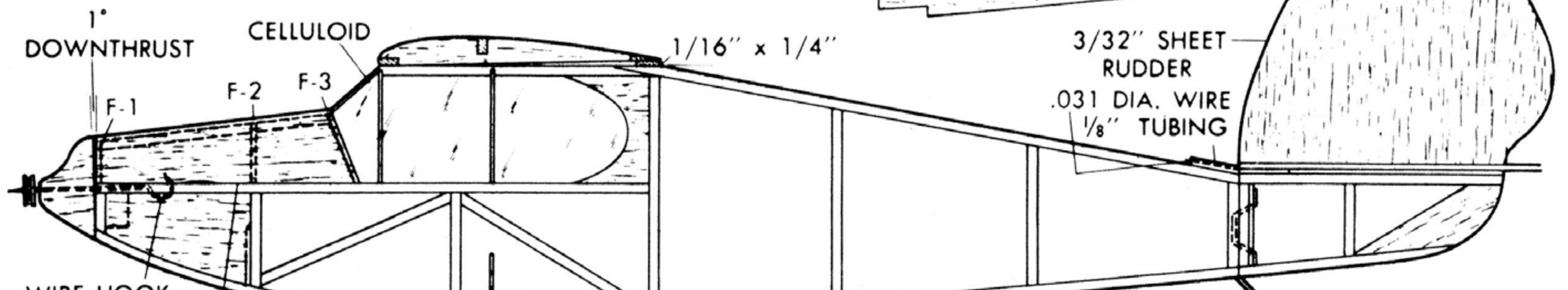
1/16" SHEET TAIL PLATFORM



1" DOWNTHRUST

CELLULOID

1/16" x 1/4"



WIRE HOOK

1/16" SHEET

UPPER WING

1/16" x 5/16" LEADING EDGE

LANDING WIRE .062" DIA.

3/32" x 3/16" SPAR

W-1

W-1

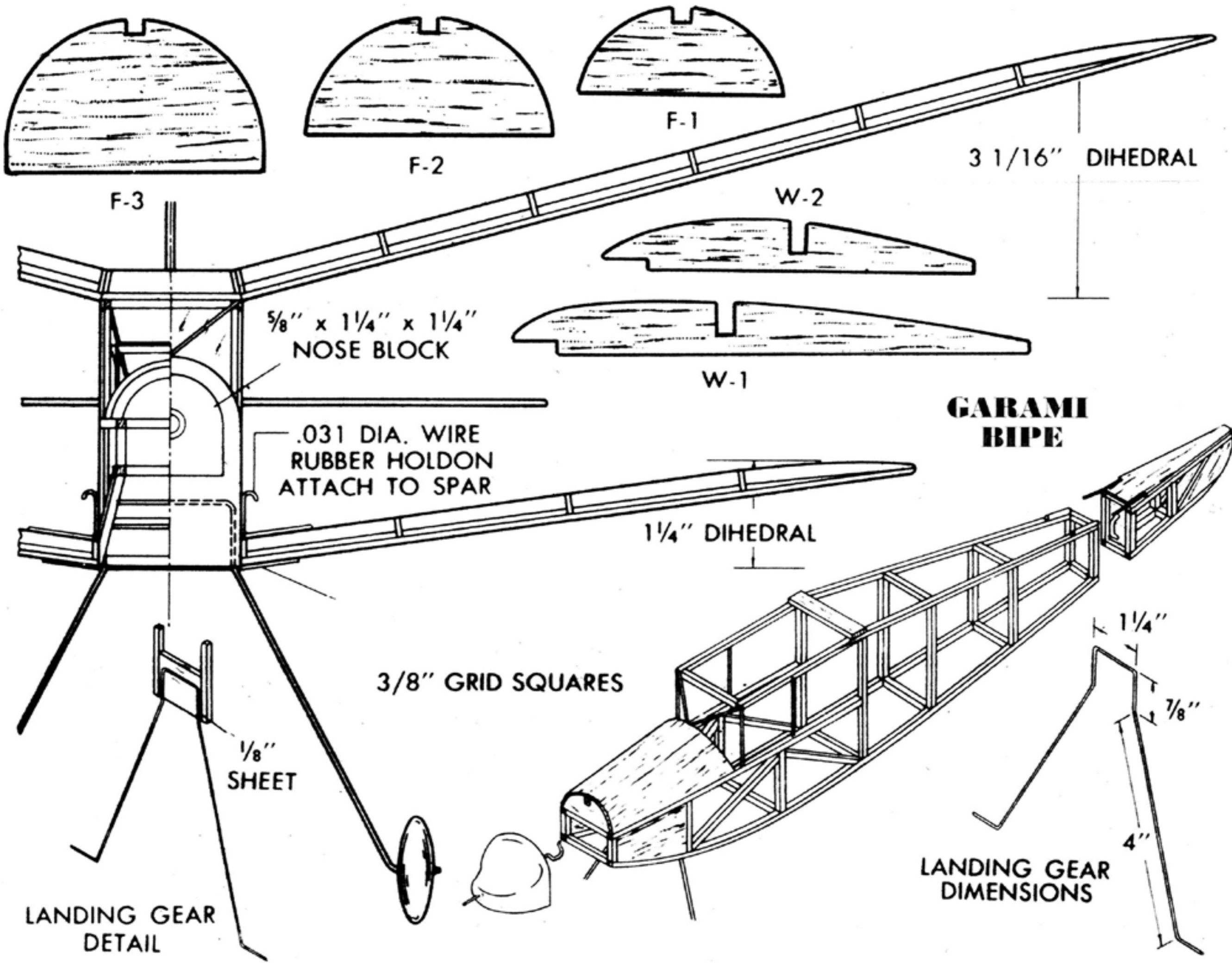
W-1

1/4" HARDWOOD



1/16" x 1/4" TRAILING EDGE

.031 DIA.



LANDING GEAR
DETAIL

LANDING GEAR
DIMENSIONS