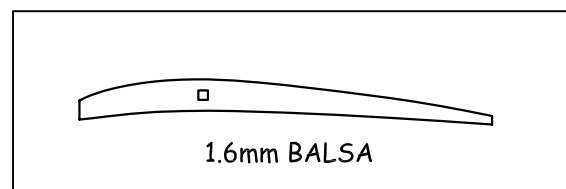
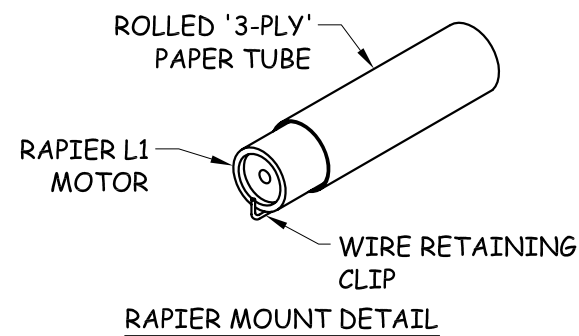
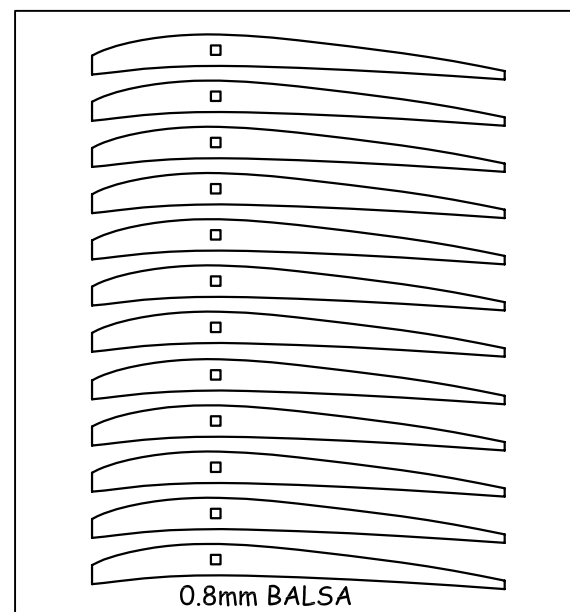
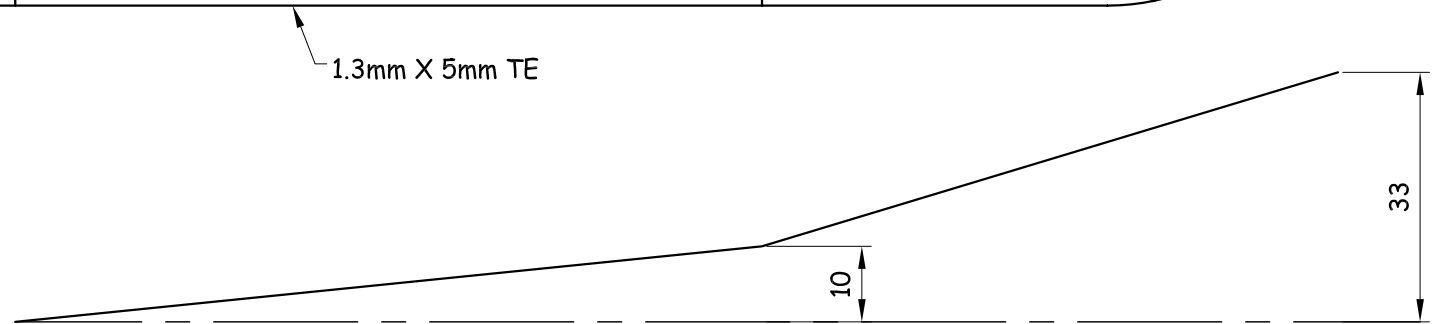
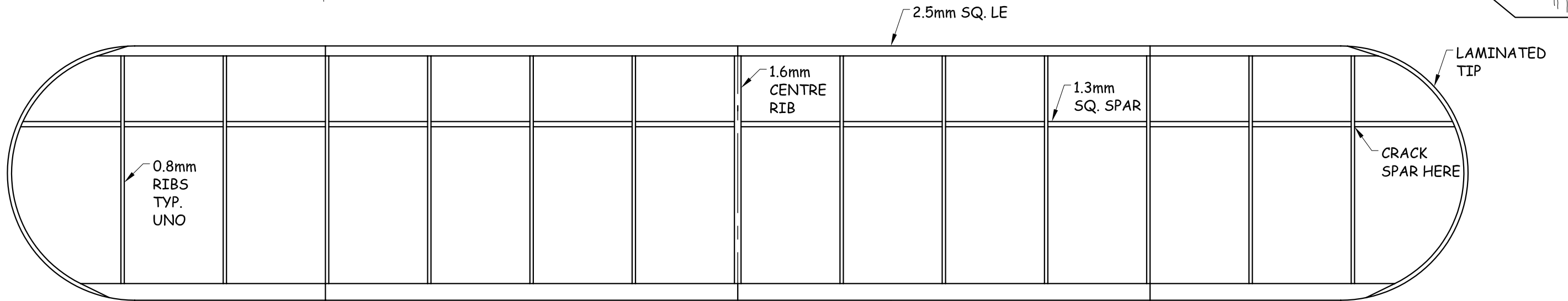
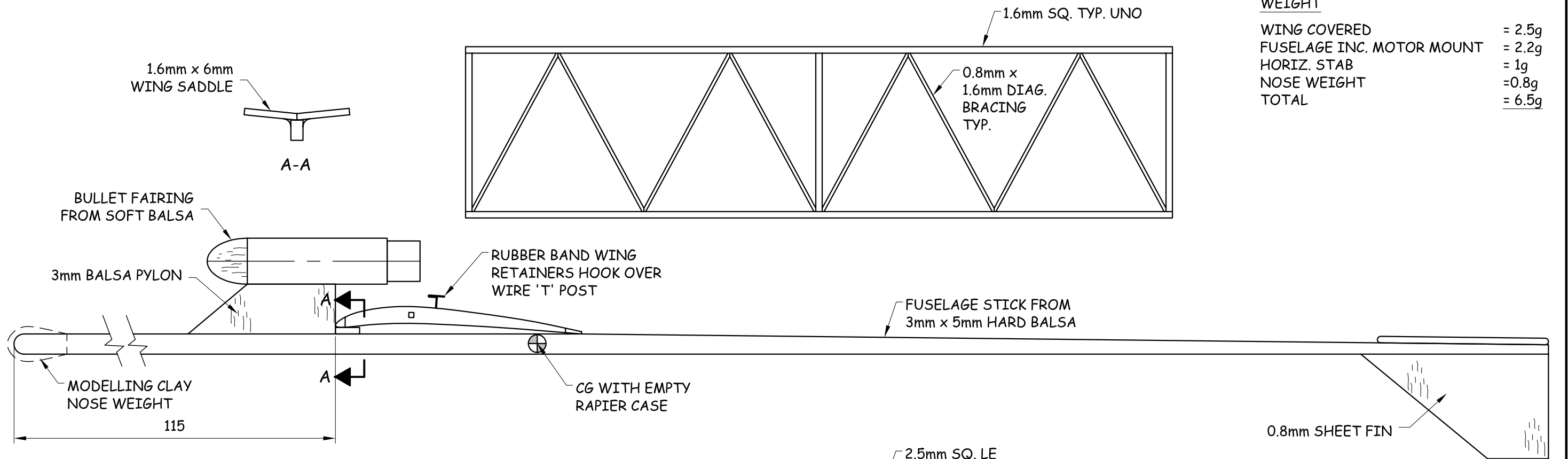


WEIGHT

WING COVERED	= 2.5g
FUSELAGE INC. MOTOR MOUNT	= 2.2g
HORIZ. STAB	= 1g
NOSE WEIGHT	= 0.8g
TOTAL	= 6.5g



METRIC TO IMPERIAL COVERSION:

0.8mm	= 1/32"
1.3mm	= 1/20"
1.6mm	= 1/16"
2.5mm	= 3/32"
3mm	= 1/8"

'Snowflake II'
A 350mm span duration model
for Rapiere L1 power
 Drawn by Steve Bage (based on old Aeromodeller plan)